

**CITY OF MUSKEGON  
SPECIAL PROVISION  
FOR  
RECTANGULAR RAPID FLASHING BEACON, MODIFIED**

1 of 1

August 2025

City of Muskegon

**DESCRIPTION**

The work covered by this special provision shall be in accordance with Section 820 of the MDOT 2020 Standard Specifications for Construction, except where modified herein.

**CONSTRUCTION METHODS**

The work covered by this special provision shall be in accordance with the applicable requirements in Section 820 except for the following:

Rectangular Rapid Flashing Beacon (RRFB) will be constructed as shown in MDOT Standard Plans SIG-321-A. RRFB is to be permanently powered and contain two-way RRFB. All materials listed within SIG-321-A are to be included within this pay item. Including but not limited to: pedestal foundation, pole, pushbutton, signs (R10-25, W16-7, W11-2), the RRFB, mounting hardware, cable and anything needed to build a complete system. These items will not be paid for separately.

In addition to SIG-321-A, the RRFB shall contain LED flood lights with the intent of lighting the crosswalk during dark hours.

**MEASUREMENT AND PAYMENT**

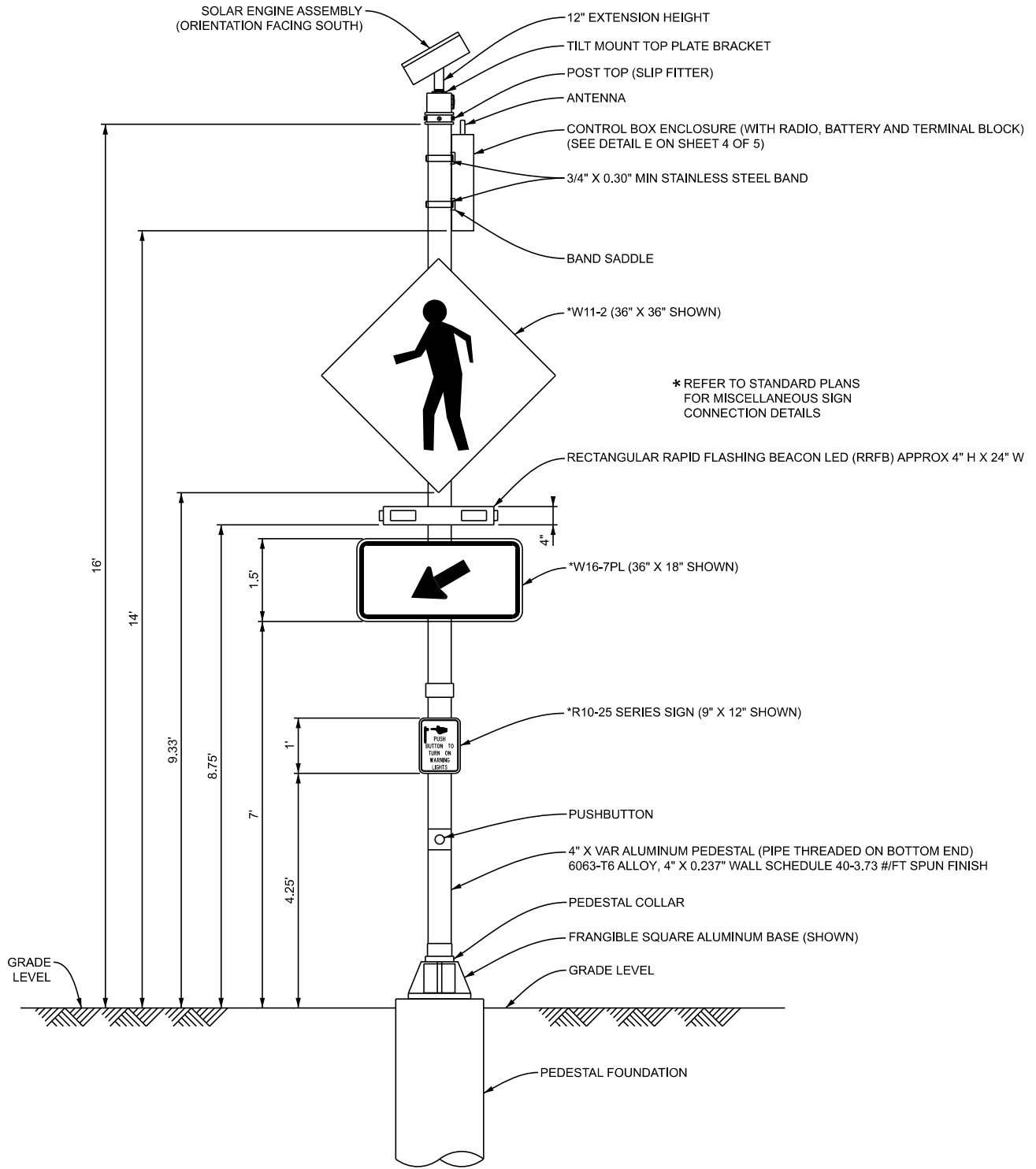
The completed work including all materials, labor and equipment, as measured will be paid for at the contract unit price for the following contract item (pay item).

**PAY ITEM**

**PAY UNIT**

Rectangular Rapid Flashing Beacon, Modified

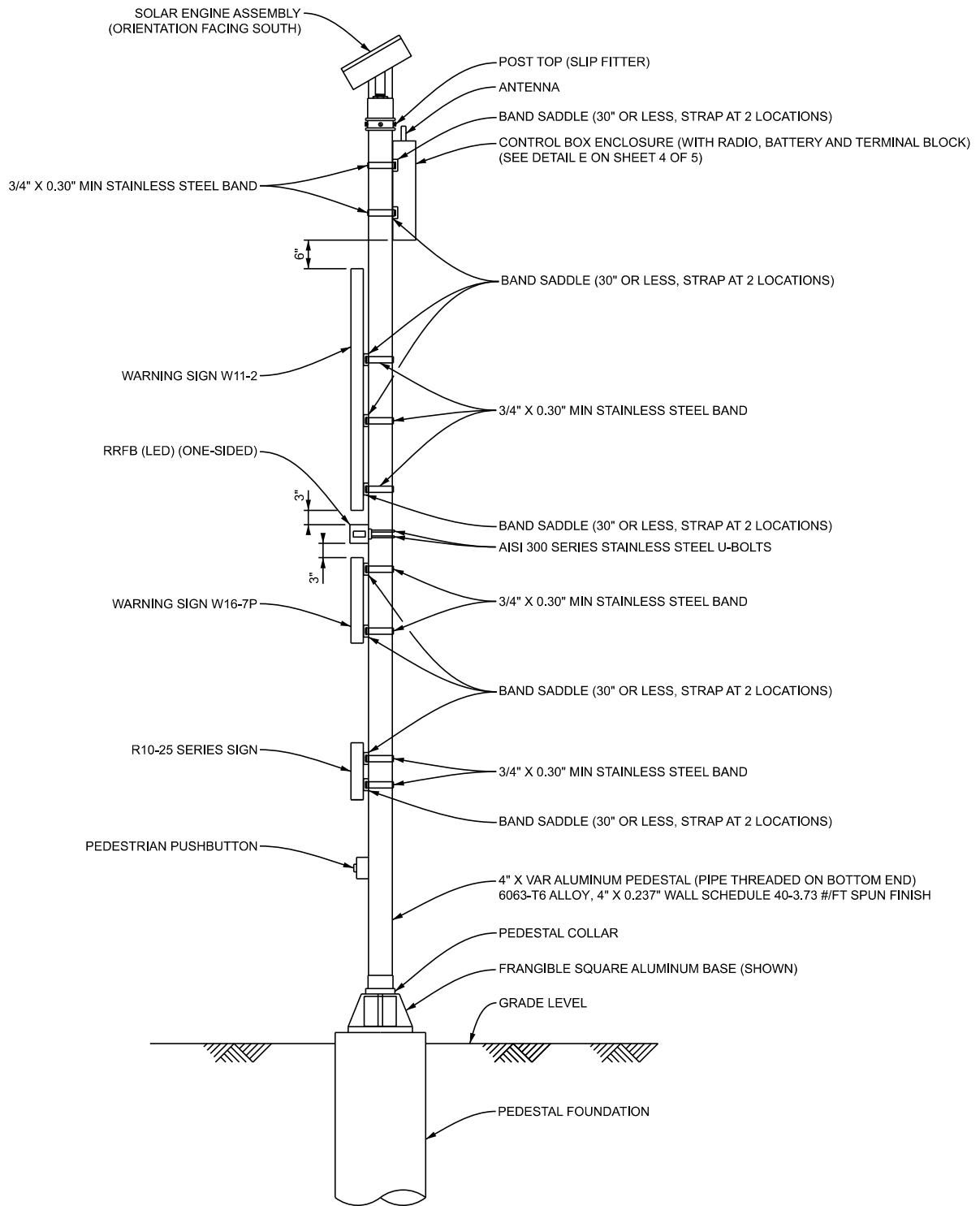
Each



FRONT VIEW


**A** DETAIL - SOLAR POWER ASSEMBLY (ONE-SIDED RRFB)  
N.T.S.

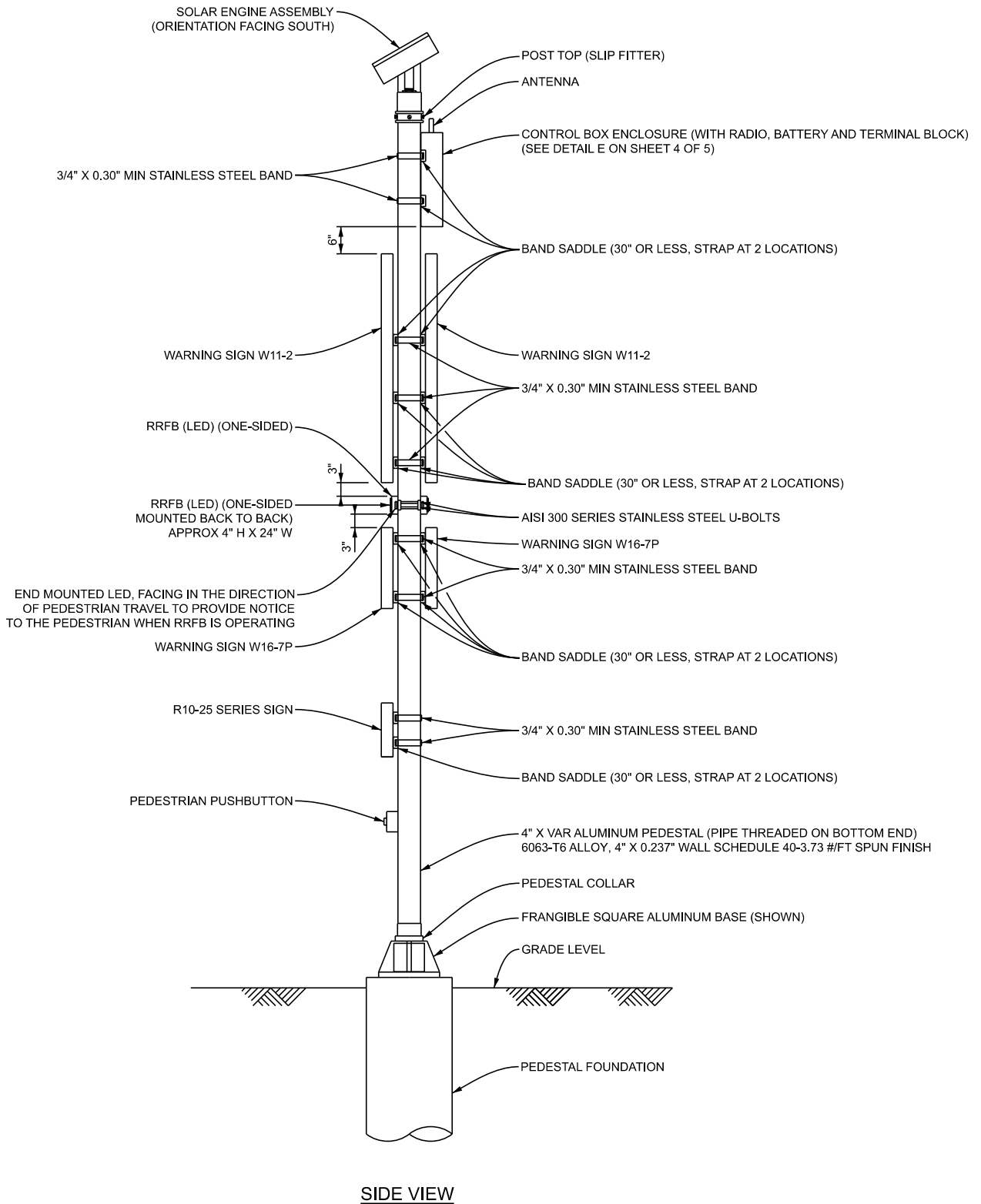
APPROVED BY: _____ DIRECTOR, BUREAU OF FIELD SERVICES	 DEPARTMENT DIRECTOR BRADLEY C. WIEFERICH, PE	STANDARD PLAN FOR <b>RECTANGULAR RAPID          FLASHING BEACON</b>		
APPROVED BY: _____ DIRECTOR, BUREAU OF DEVELOPMENT		(SPECIAL DETAIL) FHWA APPROVAL	02/21/2024 PLAN DATE	<b>SIG-321-A</b>



**SIDE VIEW**


**B** **DETAIL - SOLAR POWER ASSEMBLY (ONE-SIDED RRFB)**  
N.T.S.

 DEPARTMENT DIRECTOR BRADLEY C. WIEFERICH, PE	STANDARD PLAN FOR <b>RECTANGULAR RAPID          FLASHING BEACON</b>		<b>SIG-321-A</b>	SHEET 2 OF 5
	(SPECIAL DETAIL) FHWA APPROVAL	02/21/2024 PLAN DATE		SECT

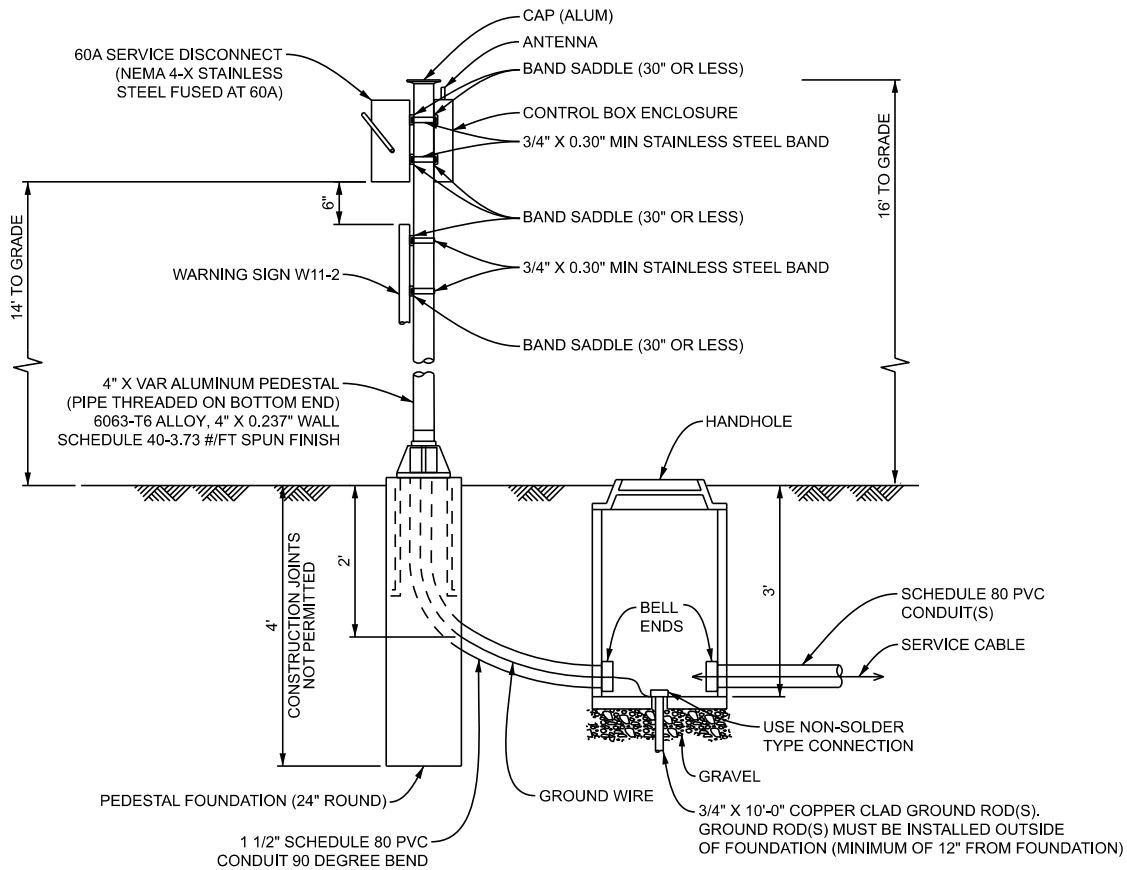


SIDE VIEW

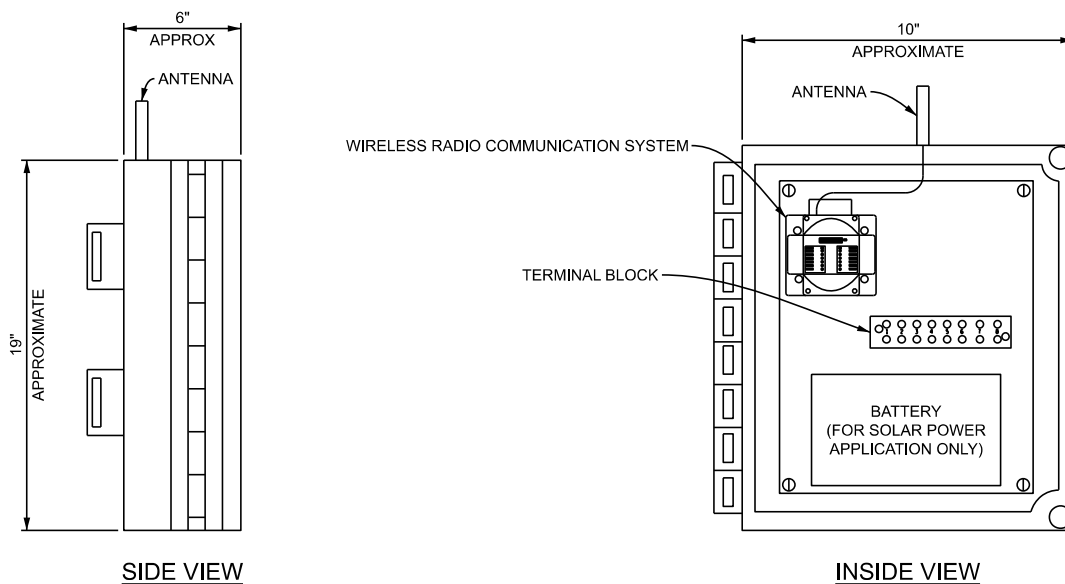
**C** DETAIL - SOLAR POWER ASSEMBLY (TWO-SIDED RRFB)  
N.T.S.

APPROVED BY: _____ DIRECTOR, BUREAU OF FIELD SERVICES	 DEPARTMENT DIRECTOR BRADLEY C. WIEFERICH, PE	STANDARD PLAN FOR <b>RECTANGULAR RAPID          FLASHING BEACON</b>	
APPROVED BY: _____ DIRECTOR, BUREAU OF DEVELOPMENT		(SPECIAL DETAIL) FHWA APPROVAL	02/21/2024 PLAN DATE

**SIG-321-A**

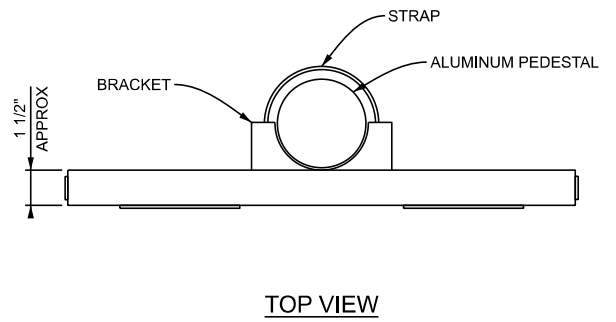
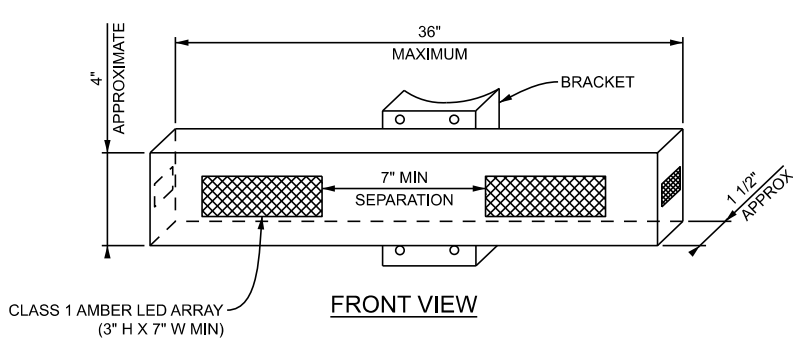


**D** DETAIL - PERMANENT POWER SOURCE (RRFB)  
N.T.S.

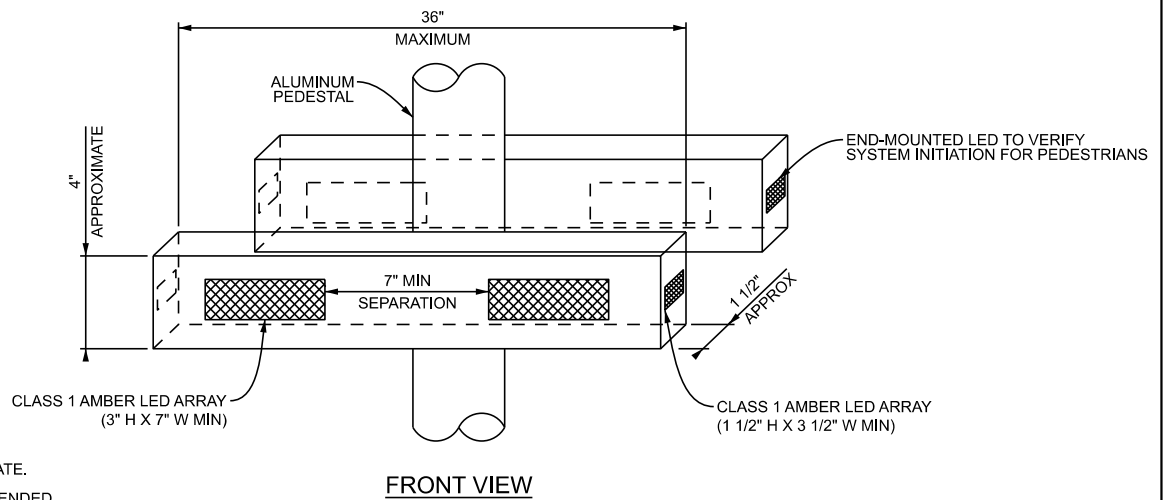
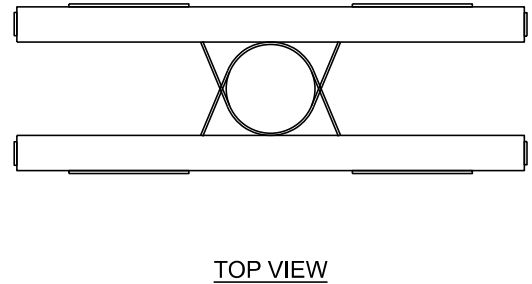
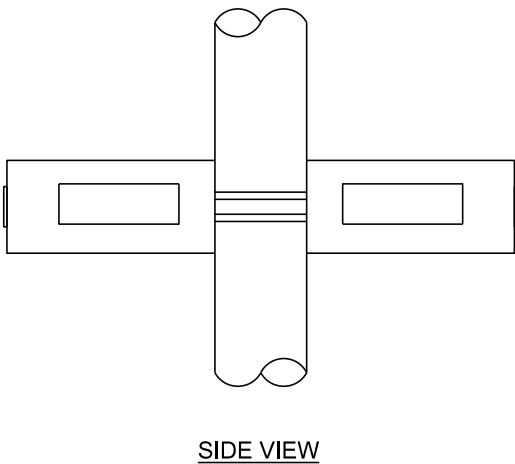


**E** DETAIL - CONTROL BOX ENCLOSURE DETAIL  
N.T.S.

<p>DEPARTMENT DIRECTOR BRADLEY C. WIEFERICH, PE</p>	<p>STANDARD PLAN FOR RECTANGULAR RAPID FLASHING BEACON</p>		<p><b>SIG-321-A</b></p>	<p>SHEET 4 OF 5</p>
	<p>(SPECIAL DETAIL) FHWA APPROVAL</p>	<p>02/21/2024 PLAN DATE</p>		



**F** DETAIL - ONE-WAY RRFB (4 LED'S)  
N.T.S.



NOTES:

- 1) ALL DIMENSIONS ARE APPROXIMATE.
- 2) USE MANUFACTURER'S RECOMMENDED MOUNTING BRACKETS, FITTINGS, AND CONNECTORS.
- 3) USE AISI 300 SERIES STAINLESS STEEL HARDWARE.

**G** DETAIL - TWO-WAY RRFB (8 LED'S) TWO ONE-WAY MOUNTED BACK TO BACK  
N.T.S.

APPROVED BY: \_\_\_\_\_  
DIRECTOR, BUREAU OF FIELD SERVICES

APPROVED BY: \_\_\_\_\_  
DIRECTOR, BUREAU OF DEVELOPMENT



DEPARTMENT DIRECTOR  
BRADLEY C. WIEFERICH, PE

STANDARD PLAN FOR  
RECTANGULAR RAPID  
FLASHING BEACON

(SPECIAL DETAIL)  
FHWA APPROVAL

02/21/2024  
PLAN DATE

SIG-321-A

SHEET  
5 OF 5